



Air Hawk T.M.

DESIGN REGISTERED
Version 2.1 - Nov 20th 2008

PART: 1020MF

**2004 - 2007 Chev Colorado
(Front Mud Flap)**

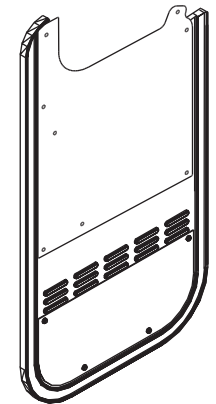
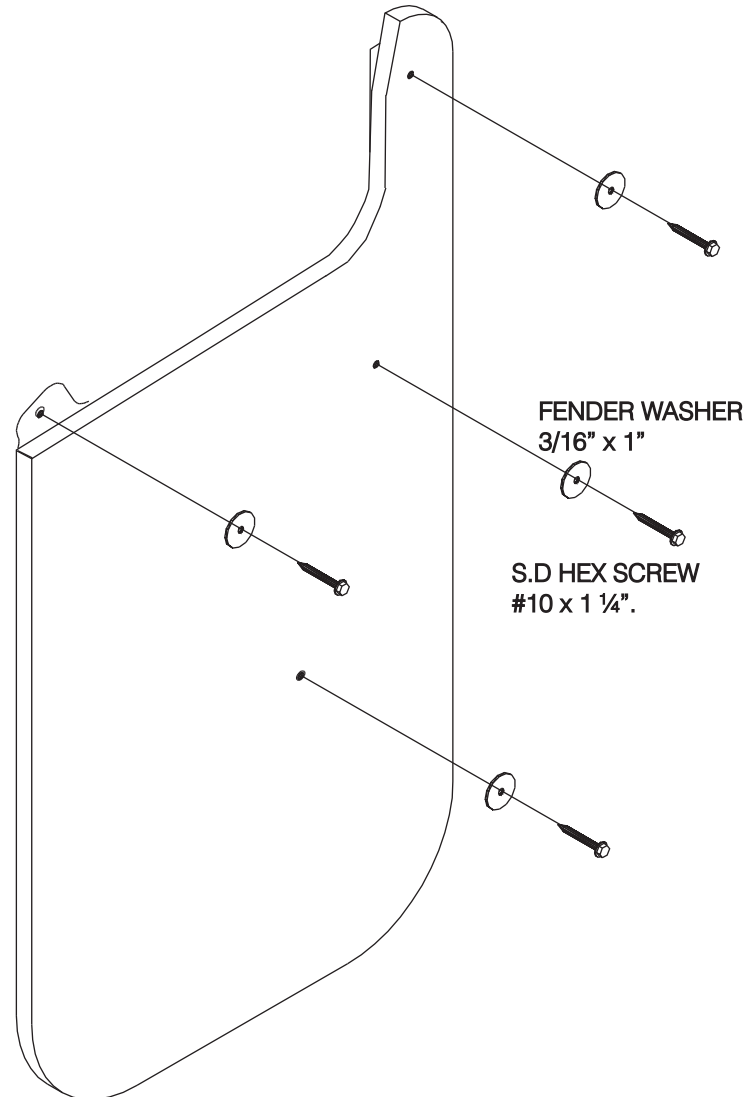
DRIVER SIDE IS SHOWN

INSTALLATION INSTRUCTIONS

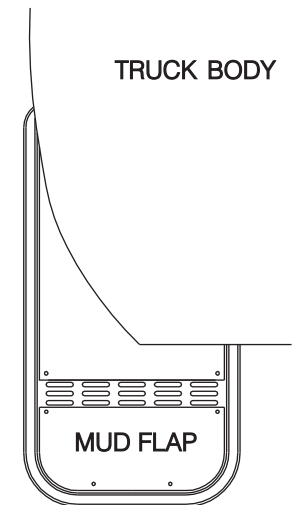
- (1) Please check for complete hardware contents in kit according to parts list.
- (2) Hold mud flap inside wheel well to determine which vehicle mounting bolts to use.
- (3) Remove bolts and loosely secure mud flap on vehicle mounting bolts.
- (4) Once mud flap is aligned with vehicle opening, drill additional holes if required and secure mud flap with provided hardware, being sure to tighten all bolts and screws.

IMPORTANT:

Manufacturer is not responsible for negligent use of vehicle with Mud Flaps installed, or over tightening of screws and bolts causing damage to vehicle or Mud Flaps.



TRUCK BODY



Rear View of Vehicle
(Installed Mud Flap)

PARTS LIST

QTY	PART DESCRIPTION
2	1020MF MUD FLAPS (LEFT & RIGHT)
8	S.D. HEX SCREWS #10 x 1-1/4"
8	FENDER WASHERS #10